

# Diode Pumped Infrared 1053 nm CrystaLaser®

High reliability High stability Single longitudinal mode Ultra-compact

## SPECIFICATIONS

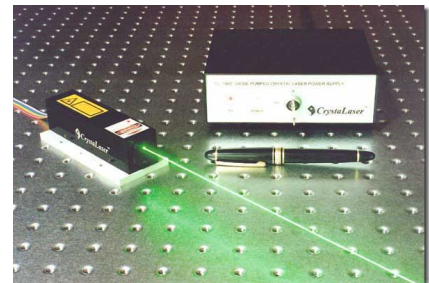
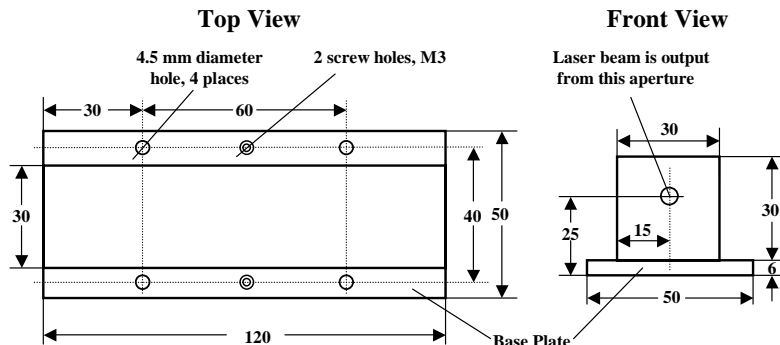
Wavelength	1053 nm		
Laser crystal	Nd:YLF		
Laser version	Standard version		SLM version
Model No. and output power	CL1053-2W5	2.5 W	CL1053-300-S 300 mW
	CL1053-1W5	1.5 W	CL1053-200-S 200 mW
	CL1053-1W0	1 W	CL1053-150-S 150 mW
	CL1053-700	700 mW	CL1053-100-S 100 mW
	CL1053-400	400 mW	CL1053-050-S 50 mW
	CL1053-300	300 mW	
	CL1053-200	200 mW	
	CL1053-100	100 mW	
Longitudinal mode spectrum	Multiple		Single
Coherence length	1 - 5 mm		> 300 meters
Linewidth	0.3 nm, nominal		< 10 <sup>-5</sup> nm
Modulation options	TTL 1kHz, 3 kHz, 10 kHz, 50kHz Analog control, Analog modulation		TTL on/off option
Output stability (rms)	< 1% over 24 hours; ultra-stable option: 0.25% over 24 hours		
Transverse mode	Single mode, TEM <sub>00</sub> , M <sup>2</sup> = 1.0 - 1.2		
Beam diameter (1/e <sup>2</sup> )	0.4 mm	Option: 2X - 5X laser beam expanders are available to change beam size and divergence	
Beam divergence	4 mrad	e.g. 0.8 mm beam with 2 mrad divergence; or 2 mm beam with 0.8 mrad divergence	
Beam pointing stability	< 0.005 mrad/°C		
Polarization ratio	100:1; Vertical linear polarization		
Operation temperature	10 °C to 35 °C		
Warm-up time	< 1 minute		
Operation voltage	90-250 VAC or 12VDC OEM version 11-16VDC; Typical power consumption: 10 W		
Dimensions and weight of laser head	3x3x12 cm <sup>3</sup> (1.2x1.2x4.7 in <sup>3</sup> ) with a fixed 6 mm thick plate, 0.3kg (0.6 lb) 7x3.6x18.5 cm <sup>3</sup> (2.8x1.4x7.3 in <sup>3</sup> ), 0.6 kg (1.3 lb) for lasers ≥ 2 W, type 2 size		
Dimensions and weight of power supply	AC: 5x14x15 cm <sup>3</sup> (2x5.5x6 in <sup>3</sup> ), 0.5 kg (1 lb) DC: 8.5x3.5x12.7 cm <sup>3</sup> (3.3x1.4x5 in <sup>3</sup> ), 0.2 kg (0.5 lb); Option CL-2005 power display AC: 5 x 16 x 15 cm <sup>3</sup>		

Fiber coupling option: Single mode and multi-mode fiber delivery.  
 CL-2005 power supply option: Power adjustable and power digital display.

Made in the USA



### Laser Head All dimensions in mm



Mechanical dimensions of the laser head and power supply of infrared laser are the same as the green laser.